



30X TOMCAT

PISTOL
USER MANUAL



Contents

Basic Safety Rules	3
Safe Transportation	7
Tomcat Nomenclature/Main Parts.....	8
Tomcat Description	9
Specifications.....	10
Safety Features	11
Ammunition	12
Loading.....	13
Cocking the Hammer	16
Firing.....	16
Unloading the Pistol and Magazine.....	17
Disassembly	19
Maintenance	21
Assembly.....	22
Red Dot Sight.....	23
Troubleshooting.....	25
Storage.....	26
Warranty	26
Accessories	26
Massachusetts Addendum	27
Tomcat Parts List.....	28

Titles: Warning, Caution, and Notice headings are defined as follows:



THE PURPOSE OF A WARNING TITLE IS TO DRAW ATTENTION TO POTENTIALLY DANGEROUS SITUATIONS THAT COULD RESULT IN PERSONAL INJURY.



A CAUTION concerns potential damage to the firearm.



A Notice highlights important procedures and statements that require more emphasis than general text.

Unless otherwise stated, the firearm described here is the right-handed version.

Text and illustrations are subject to change without prior warning.

 **WARNING**

THIS MANUAL CONTAINS IMPORTANT WARNINGS THAT NEED TO BE UNDERSTOOD BEFORE USING THIS FIREARM. PLEASE KEEP THIS COPY OF THE INSTRUCTION MANUAL FOR FUTURE CONSULTATION. IN CASE OF CHANGE OF OWNERSHIP, ALWAYS PROVIDE A COPY OF THIS MANUAL. IF THIS FIREARM IS LOANED, GIVEN TO OTHERS TO USE, OR SOLD ON, MAKE SURE THAT THIS INSTRUCTION MANUAL ACCOMPANIES IT AS A REFERENCE FOR SAFETY PROCEDURES AND OPERATION.

 **WARNING**

FIREARMS CAN BE DANGEROUS AND CAN POTENTIALLY CAUSE SERIOUS INJURY, DAMAGE TO PROPERTY OR DEATH, IF HANDLED IMPROPERLY. THE FOLLOWING SAFETY RULES ARE AN IMPORTANT REMINDER THAT YOU ARE RESPONSIBLE FOR THE SAFETY OF YOUR FIREARM.

 **WARNING**

ALWAYS MAKE SURE THAT THE SAFETY IS FULLY ENGAGED UNTIL YOU ARE READY TO SHOOT. CAREFULLY READ THE "SAFETY" CHAPTER IN THIS MANUAL BEFORE BEGINNING TO HANDLE THE FIREARM.

 **WARNING**

CAREFULLY READ ALL PARTS IN THE MANUAL BEFORE USING THIS FIREARM. MAKE SURE THAT ANY PERSON USING OR HAVING ACCESS TO THIS FIREARM HAS READ AND COMPLETELY UNDERSTOOD ALL OF THE INSTRUCTIONS IN THIS MANUAL PRIOR TO USE OR ACCESS.

WE RECOMMEND THE USE OF ORIGINAL BERETTA SPARE PARTS AND ACCESSORIES. THE USE OF SPARE PARTS AND ACCESSORIES FROM OTHER MANUFACTURERS COULD CAUSE MALFUNCTIONS AND/OR BREAKAGES THAT WILL NOT BE COVERED BY THE BERETTA WARRANTY.

 **WARNING**

BERETTA AND/OR ITS LOCAL OFFICIAL DISTRIBUTORS ASSUME NO LIABILITY FOR PRODUCT MALFUNCTION OR FOR PHYSICAL INJURY OR DAMAGE TO PROPERTY RESULTING IN WHOLE OR IN PART FROM CRIMINAL OR NEGLIGENT USE OF THE PRODUCT, IMPROPER OR CARELESS HANDLING, INTENTIONAL OR ACCIDENTAL DISCHARGE, UNAUTHORIZED MODIFICATIONS, USE OF DEFECTIVE, IMPROPER, HAND-LOADED, RELOADED OR REMANUFACTURED AMMUNITION, MISUSE OR NEGLECT OF THE PRODUCT, OR OTHER FACTORS BEYOND MANUFACTURER'S DIRECT AND IMMEDIATE CONTROL.

IN ADDITION TO THE BASIC SAFETY RULES, THERE ARE OTHER SAFETY RULES PERTAINING TO THE LOADING, UNLOADING, DISASSEMBLY, ASSEMBLY AND USE OF THIS FIREARM, LOCATED THROUGHOUT THIS MANUAL.

BASIC SAFETY RULES

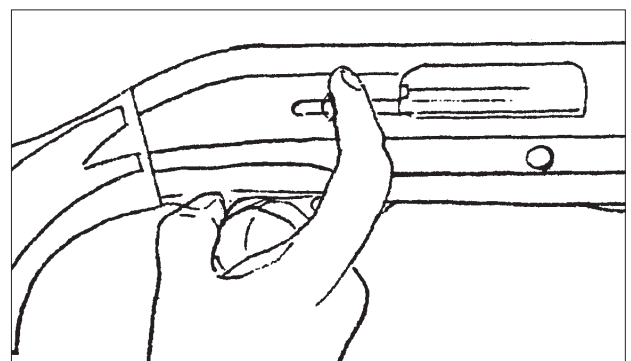
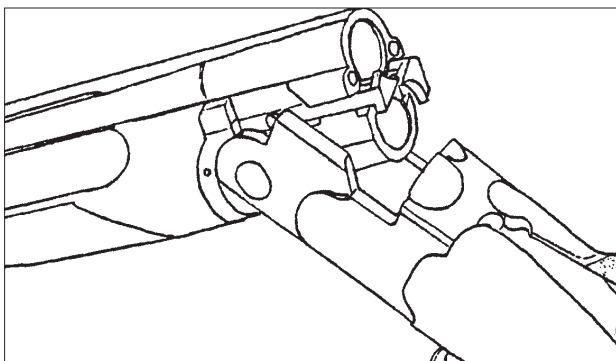
1. NEVER POINT A FIREARM AT SOMETHING THAT IS NOT SAFE TO SHOOT.

Never let the muzzle of a firearm point at any part of your body or at another person. This is especially important when loading or unloading the firearm. When you are shooting at a target, know what is behind it. Some bullets can travel over a mile. If you miss your target or if the bullet penetrates the target, it is your responsibility to ensure that the shot does not cause unintended injury or damage.



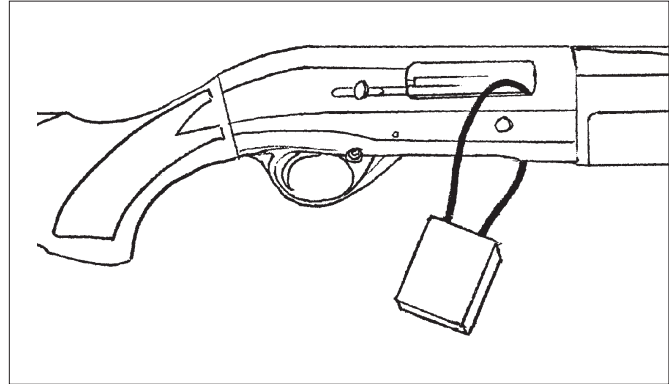
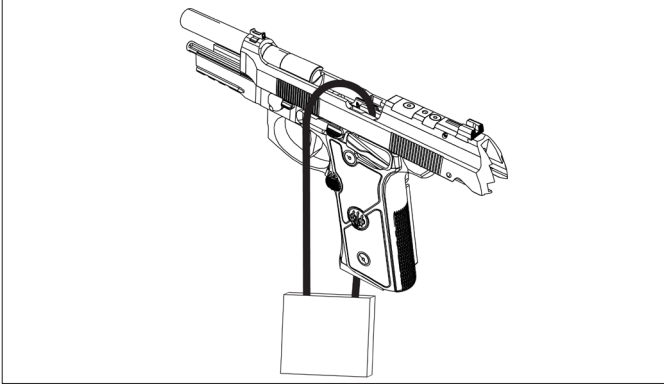
2. ALWAYS HANDLE A FIREARM AS IF IT WERE LOADED.

Never assume that a firearm is unloaded. The only certain way to ensure there are no cartridges in a firearm is to open the chamber and visually and physically examine the inside to see if a round is present. Removing or unloading the magazine will not guarantee that a firearm is unloaded or cannot fire. Firearms can be checked by cycling or removing rounds and by then opening the chamber so that a visual inspection of the chamber for any remaining rounds can be made.



3. STORE YOUR FIREARM SO THAT IT IS WELL OUT OF CHILDREN'S REACH.

It is your responsibility to ensure that children under the age of 21 or other unauthorized persons cannot gain access to your firearm. To reduce the risk of accidents involving children, unload your firearm, lock it in a safe place, and store the ammunition in a separate locked location. Please note that devices intended to prevent accidents such as: cable locks, chamber plugs, etc., may not prevent use or misuse of your firearm by a determined person. Firearm storage in a steel gun safe may be more appropriate to reduce the likelihood of intentional misuse of a firearm by a child or unauthorized person.



4. NEVER SHOOT AT WATER OR AT HARD SURFACES.

Shooting at the surface of water or at a rock or other hard surfaces increases the chance of ricochets or fragmentation of the bullet or shot, which can result in the projectile striking an unintended or peripheral target.



5. MAKE SURE YOU KNOW THE SAFETY FEATURES OF THE FIREARM YOU ARE USING, BUT REMEMBER: SAFETY DEVICES ARE NOT A SUBSTITUTE FOR SAFE HANDLING PROCEDURES.

Never rely solely on a safety device to prevent an accident. It is imperative that you know and use the specific safety devices of the particular firearm you are handling, but the best way to prevent accidents is to follow the safe handling procedures described in these safety rules and elsewhere in the product manual. To further familiarize yourself with the proper use of this or other firearms, take a Firearms Safety Course taught by an expert in firearm use and safety procedures.

6. PROPERLY MAINTAIN YOUR FIREARM.

Store and carry your firearm so that dirt or lint does not accumulate in the working parts. Clean and oil your firearm after each use, following the instructions provided in this manual, to prevent corrosion, damage to the barrel or the accumulation of impurities which can prevent use of the firearm in an emergency. Always check the barrel and chamber(s) before loading to ensure that they are clean and free from obstructions. Firing with an obstruction in the barrel or chamber can rupture the barrel and injure you or others nearby. In the event you hear an unusual noise when shooting, stop firing immediately, engage the manual safety and unload the firearm. Make sure the chamber and barrel are free from any obstruction, such as a bullet blocked inside the barrel due to defective or improper ammunition.



7. USE SUITABLE AMMUNITION.

Only use factory-loaded, new ammunition manufactured to industry specifications: CIP (Europe and elsewhere), SAAMI® (U.S.A.). Be certain that every round you use is in the proper caliber and type for the particular firearm. The caliber of the firearm is clearly marked on the barrel. The use of reloaded or remanufactured ammunition can increase the likelihood of excessive cartridge pressures, case-head ruptures or other defects in the ammunition that can cause damage to your firearm and injury to yourself or others nearby.

8. ALWAYS WEAR PROTECTIVE GLASSES AND EARPLUGS WHEN SHOOTING.

The chance that gas, gunpowder residue or metal fragments will blow back and injure a shooter who is firing a gun is rare; however, the injury that can be sustained in such circumstances can be severe, including the possible loss of eyesight. A shooter must always wear impact-resistant shooting glasses when firing any firearm. Noise-reducing earplugs or headphones will reduce the risk of damage to hearing caused by prolonged shooting activity.

**9. NEVER CLIMB A TREE, FENCE OR OBSTRUCTION, AND NEVER JUMP OVER DITCHES WITH A LOADED FIREARM.**

Open and empty the chamber(s) of your firearm and engage the manual safety before climbing up or down a tree or before climbing a fence or jumping over a ditch or other obstruction. Never pull or push a loaded firearm toward yourself or another person. Always unload a firearm, then visually and physically check to make sure that the magazine, loading mechanism and chamber(s) are unloaded, and the action is open before handing it to another person. Never take a firearm from another person unless it is unloaded, and was visually and physically checked to confirm it is unloaded. Only take a firearm when the action is open.

**10. AVOID ALCOHOLIC BEVERAGES OR JUDGEMENT/REFLEX IMPAIRING MEDICATION WHEN SHOOTING.**

Never drink and shoot. If you take medication that can impair motor reactions or judgment, do not handle a firearm while you are under the influence of this medication or alcohol.



11. NEVER TRANSPORT A LOADED FIREARM.

Always unload a firearm before putting it in a vehicle (chamber empty, magazine empty). Hunters and target shooters should load their firearm only at their destination, and only when they are ready to shoot. If you carry a firearm for self-protection, leaving the chamber unloaded can reduce the chance of unintentional discharge.

**12. LEAD WARNING.**

Discharging firearms in poorly ventilated areas, cleaning firearms, or handling ammunition may result in exposure to lead and other substances known to cause birth defects, reproductive harm, and other serious physical injury. Always use a firearm in a suitably ventilated area. Wash hands thoroughly after exposure to these substances.

**Notice**

It is your responsibility to know and abide by federal, state and local laws governing the sale, transportation and use of firearms in your area.

**WARNING**

THIS FIREARM HAS THE CAPABILITY OF TAKING YOUR LIFE OR THE LIFE OF SOMEONE ELSE!

ALWAYS BE EXTREMELY CAREFUL WITH YOUR FIREARM.

AN ACCIDENT IS ALMOST ALWAYS THE RESULT OF NOT FOLLOWING BASIC FIREARM SAFETY RULES.

BEFORE USING THE FIREARM OR CARRYING OUT ANY OPERATION IN THIS MANUAL, BE SURE TO CAREFULLY FOLLOW THE BASIC SAFETY RULES INDICATED ABOVE.

**WARNING**

ALWAYS ENSURE THAT THE SAFETY IS FULLY ENGAGED UNTIL READY TO FIRE.

IF THE GUN IS NOT EQUIPPED WITH A SAFETY, ALWAYS KEEP YOUR FINGER AWAY FROM THE TRIGGER UNTIL READY TO FIRE.

**Notice**

The Manufacturer and/or its Local Official Distributors assume no liability for product malfunction or for physical injury or property damage resulting in whole or in part from criminal or negligent use of the product, improper or careless handling, unauthorized modifications, use of defective, improper, hand-loaded, reloaded or remanufactured ammunition, customer misuse or neglect of the product, or other factors beyond manufacturer's direct and immediate control. In addition to the Basic Safety Rules, there are other Safety Rules pertaining to the loading, unloading, disassembly, assembly and use of this firearm, located throughout this manual.

**WARNING**

MAKE SURE THAT ANY PERSON USING OR HAVING ACCESS TO THIS FIREARM READS AND UNDERSTANDS THIS ENTIRE MANUAL PRIOR TO USE OR ACCESS.

IMPORTANT: ALWAYS KEEP THIS MANUAL WITH YOUR FIREARM. INCLUDE IT WITH THE PISTOL WHEN IT CHANGES OWNERSHIP OR WHEN IT IS LOANED OR PRESENTED TO ANOTHER PERSON.

IMPORTANT: WE RECOMMEND THE USE OF ORIGINAL BERETTA SPARE PARTS AND ACCESSORIES. THE USE OF OTHER MANUFACTURER'S SPARE PARTS AND ACCESSORIES COULD CAUSE MALFUNCTIONS AND/OR BREAKAGES THAT WILL NOT BE COVERED BY THE BERETTA WARRANTY.



CAUTION

It is **YOUR** responsibility to know and abide by Federal, State and Local laws governing the sale, transportation and use of firearms in your area.

Especially for U.S. consumers: For information about Firearm Safety Courses in your area, please visit the National Rifle Association's web site at www.nra.org.

SAFE TRANSPORTATION

For safe transportation, always unload the pistol (empty the chamber, remove the magazine), hammer fully-lowered and the safety engaged "ON" (red warning dot not visible). See "Unloading the Pistol and Magazine" page 17 for more information.

In the field, the pistol should be carried unloaded (empty the chamber, remove the magazine), the hammer fully-lowered and the safety engaged "ON" (red warning dot not visible) in a holster, with the magazine in a pouch or pocket.

On the range, the hammer should be fully-lowered and the safety engaged "ON" (red warning dot not visible), remove the magazine and the barrel released until ready to fire. Always keep the chamber unloaded until you are ready to fire.



WARNING

IF THE CHAMBER IS LOADED AND THE HAMMER IS FULLY-COCKED WHILE SHOOTING IN THE FIELD OR ON THE RANGE, AND YOU WANT TO LOCK THE HAMMER TO PREVENT ACCIDENTAL DISCHARGE, KEEP YOUR FINGER OUTSIDE OF THE TRIGGER GUARD, KEEP COMPLETE MUZZLE CONTROL AND ENGAGE THE SAFETY (RED DOT NOT SHOWING) UNTIL READY TO FIRE. FAILURE TO FOLLOW THIS WARNING COULD RESULT IN SERIOUS INJURY OR DEATH.



Notice

The quick barrel release can also be used as a safety device against accidental discharge. Flip the barrel release lever and, when the barrel springs to the tilted position, the pistol cannot be fired unless the barrel is returned to its downward locked position.

TOMCAT NOMENCLATURE/MAIN PARTS

- 1 Barrel
- 2 Removable front sight
- 3 Barrel latch
- 4 Slide
- 5 Removable rear sight
- 6 Hammer
- 7 Safety
- 8 Grip panel
- 9 Magazine
- 10 Magazine well
- 11 Front and back strap grooving
- 12 Magazine catch
- 13 Metal trigger



TOMCAT DESCRIPTION

This Beretta U.S.A. Corp. manufactured pistol in caliber 32 Auto has features rarely found in sporting pistols. It has the strength, precision, sturdiness and safety devices usually characteristic of pistols in larger caliber, weight and dimensions.

The Italian Beretta's world famous reputation for making the finest products continues to be maintained in the manufacturing of the Model 30X Tomcat in the United States.

GENERAL OPERATION

Physical strength is not required in loading due to a unique barrel mounting system. By pressing the barrel latch, the barrel is released for direct chamber loading. Close the barrel and the pistol is ready to fire, even if the magazine is not in the pistol. Insert a loaded magazine and you are ready to fire additional rounds. To fire, just disengage the safety and pull the trigger in the double action mode. No manual hammer cocking is required.

The Tomcat has an INERTIA type firing pin which, when used with the hammer down, external safety engaged "ON" (Red warning dot not visible) and with the double action trigger pull, assures the greatest degree of safety if it is necessary to carry the pistol chamber loaded (NOT RECOMMENDED).



TOMCAT FRAME

The frame is machined from a high strength aluminum alloy forging, and its surface is black anodize finished.

TOMCAT BARREL

The barrel is machined from a high strength steel alloy, and its surface is protected by a deep, durable hot bluing.

TOMCAT SLIDE

The slide is machined from a cold drawn shape of high strength steel and blued by the same process as the barrel. The small parts are manufactured of special selected high quality steel and hardened according to each part's individual function. All parts are made to strict tolerances to insure the highest degree of interchangeability.

TOMCAT MAGAZINE CAPACITY

The standard magazine capacity for the Tomcat .32 Auto is 8+1.

See www.Beretta.com for more information about your specific model.

TOMCAT FRAME GROOVING

Tomcat pistols have enhanced grooves on the front and back strap to allow for a more secure grip.



TOMCAT SIGHTS

Tomcat pistols are equipped with removable front and rear sights.



RED DOT COMPATIBILITY**! WARNING**

ALWAYS ENSURE THAT THE PISTOL IS UNLOADED, INCLUDING VERIFYING THAT THERE IS NO ROUND IN THE CHAMBER, BEFORE INSTALLING OR REMOVING AN ACCESSORY TO/FROM THE PISTOL RAIL. NEVER PLACE YOUR HAND IN FRONT OF THE MUZZLE WHEN INSTALLING OR REMOVING AN ACCESSORY TO/FROM THE PISTOL RAIL.

The Tomcat pistols now allow for Red Dot Optic (RDO) devices to be securely mounted to the slide for quick and easy target acquisition. To purchase optic plates, please see www.beretta.com

SPECIFICATIONS

Tomcat	
Caliber/ammunition	.32 Auto
System of operation	Direct blowback
Hammer	Exposed, with cocking spur and drop-catch feature (half-cock notch)
Trigger	Single/Double action
Frame mounted safety	Manual thumb safety
Grips	Black polymer, walnut or G10 grip panels
Rifling	6 grooves R.H. twist, one turn in 10 in.
Front sight	Removable, white dot
Rear sight	Removable, no dot
Barrel length	Non-Threaded: 2.4 in. (61.6 mm), Threaded: 2.8 in. (70.24 mm)
Sight radius	3.4 in. (87.42 mm)
Overall length	5.4 in. (137.16 mm)
Overall height with magazine	3.7 in. (95 mm)
Overall width	1.25 in. (31.75 mm)
Weight of unloaded pistol	(Approx.) 14.5 oz (410 gr)
Magazine capacity	8 rounds

SAFETY FEATURES

THUMB SAFETY

The Bobcat and Tomcat pistols are equipped with a manual thumb safety. The Safety can quickly be engaged to its upward “ON” or downward “OFF” positions by a flick of the thumb. When the Safety is “OFF” (down), a Red Warning Dot in the slide lock notch is visible. The Safety when “ON” (up) prevents accidental trigger pull and simultaneously by locking the slide prevents slide retraction.

WARNING

ALWAYS LEAVE THE MANUAL SAFETY ENGAGED (ON “SAFE”) UNTIL YOU INTEND TO FIRE. FAILURE TO FOLLOW THIS WARNING COULD RESULT IN SERIOUS INJURY OR DEATH.

WARNING

TO USE YOUR FIREARM IN A SAFE MANNER NEVER RELY SOLELY ON MECHANICAL FEATURES - ALWAYS BE EXTREMELY CAREFUL AND USE SAFE GUN HANDLING PRACTICES TO AVOID SITUATIONS THAT COULD LEAD TO AN ACCIDENT. ALWAYS INSPECT THE OPEN CHAMBER AFTER THE MAGAZINE HAS BEEN REMOVED. FAILURE TO FOLLOW THIS WARNING COULD RESULT IN SERIOUS INJURY OR DEATH.

SAFETY/FULLY-COCKED HAMMER RELATIONSHIP

When the pistols chamber is loaded by slide manipulation or automatically during the shooting cycle (but not direct hand loading of chamber), the hammer is fully-cocked and the pistol is ready to fire. See “Loading the Pistol by Slide Manipulation” page 15 for more information.

WARNING

CARELESS HANDLING OF A LOADED PISTOL, WITH OR WITHOUT THE SAFETY ENGAGED, COULD RESULT IN ACCIDENTAL DISCHARGE.

DO NOT CHECK THE MECHANICAL FUNCTIONING OF THE SAFETY WHEN THE CHAMBER IS LOADED-CHECK IT WITH EMPTY CHAMBER. DO NOT TRY TO OVERRIDE THE SAFETY BY ASSERTING EXCESSIVE TRIGGER PULL FORCE.

FAILURE TO FOLLOW THESE WARNINGS COULD RESULT IN SERIOUS INJURY OR DEATH.

A sharp click from a spring plunger can be heard when the Safety is turned between “ON” and “OFF”. The spring plunger secures the safety in either position.

The Safety is engaged “ON” when its in the upward position and no red warning dot is not visible.

When the safety is engaged “ON” it locks the slide and securely blocks the sear, preventing trigger pull and hammer fall.



The Safety is disengaged “OFF” when its in the downward position and the red warning dot is visible.



SAFETY/FULLY-LOWERED HAMMER RELATIONSHIP

The chamber may be loaded even though the hammer is fully-lowered to its “discharged” position.

 WARNING

IF THE PISTOL IS CARRIED CHAMBER LOADED (NOT RECOMMENDED) WITH THE HAMMER FULLY-LOWERED, ENGAGE THE SAFETY. DO NOT TRY TO OVERRIDE THE SAFETY BY ASSERTING EXCESSIVE TRIGGER PULL FORCE. ALSO, THE MECHANISM MAY BE DAMAGED BY FORCEFUL MANUAL HAMMER COCKING. FAILURE TO FOLLOW THIS WARNING COULD RESULT IN PISTOL DAMAGE, SERIOUS INJURY OR DEATH.

A sharp click from a springer plunger can be heard when the Safety is turned between “ON” and “OFF”. The spring plunger secures the Safety in either position.

The Safety is engaged “ON” when its in the upward position and no red warning dot is visible.

The Safety is disengaged “OFF” when its in the downward position and the red warning dot is visible.

The fully-lowered Hammer with the Safety engaged “ON” can be retracted into the half-cocked (Drop Catch) position by either a light and short trigger pull or manual hammer cocking.

 Notice

Should the fully-lowered Hammer with the Safety “ON” be retracted into its half-cocked (Drop Catch) position the hammer cannot be lowered. See “.Lowering the Hammer” page 18.

SAFETY/HALF-COCKED HAMMER RELATIONSHIP

To REDUCE the chance of untriggered discharge due to accidental hammer fall from the full cocked position, the falling hammer is caught and secured in a half-cocked position by the Sear entering the Hammer’s Drop Catch Notch.

When the Hammer is half-cocked and the Safety engaged “ON”, the hammer cannot be retracted to its fully-cocked position.

With the hammer half-cocked and the Safety disengaged “OFF”, the pistol can be fired by double action trigger pull, the length of pull being slightly shorter than when fired from the fully-lowered position. See “Double Action Trigger Pull” page 17 for more information.

 WARNING

TO AVOID THE RISK OF ACCIDENTAL DIS-CHARGE DUE TO IMPACT AGAINST THE HAMMER SPUR DO NOT CARRY THE PISTOL CHAMBER LOADED WITH THE HAMMER HALF-COCKED.

SHOULD THE PISTOL BE INADVERTENTLY DROPPED AND THE HAMMER STRUCK, THE IMPACT COULD DAMAGE OR PERHAPS BREAK EITHER THE HAMMER NOTCH, SEAR PIN, AND/OR SEAR, CAUSING THE HAMMER TO STRIKE THE FIRING PIN.

FAILURE TO FOLLOW THESE WARNINGS COULD RESULT IN SERIOUS INJURY OR DEATH.

AMMUNITION**AMMUNITION (CARTRIDGE) NOTICE**

Beretta specifically disclaims responsibility for any damage or injury whatsoever occurring in connection with, or as the result of, the use in a Bobcat or Tomcat of faulty, non-standard, “remanufactured”, or hand-loaded (reloaded) ammunition or cartridges other than those for which the firearm was originally chambered.

USE PROPER AMMUNITION

Use only high-quality, commercially-manufactured ammunition that is manufactured in accordance with CIP (Europe and elsewhere) or SAAMI® (USA) standards. Be certain that the ammunition is the appropriate caliber and loading for the firearm and is clean, dry and in good condition. The cartridge designation for your firearm is marked on the sides of the slide.

The use of reloaded or remanufactured ammunition can increase the likelihood of excessive cartridge pressures, case-head ruptures or other defects in the ammunition that can cause damage to your firearm and injury to yourself or others nearby. There is a broad array ammunition made by many manufacturers in different brands and types. To ensure reliable operation, a semi-automatic firearm must be matched to a certain cartridge load. Bobcat and Tomcat pistols have been designed for high quality standard ammunition. Beretta suggests that you try several boxes of a recommended brand/type of ammunition in your 90 series pistol before you put it into regular use to determine reliability of ignition and performance of your ammunition. If issues occur, try different recommended brands until a reliable load is found.

 WARNING

CAREFULLY INSPECT EACH CARTRIDGE BEFORE IT IS LOADED IN THE MAGAZINE. BE CERTAIN THE CARTRIDGE CASES ARE NOT SPLIT, DEFORMED OR DO NOT POSSESS ANY OTHER DENTS OR DEFECTS. FAILURE TO FOLLOW THIS WARNING COULD RESULT IN SERIOUS INJURY OR DEATH.

⚠ WARNING

DO NOT FIRE OLD AMMUNITION IN THIS FIREARM. PRIMERS, POWDER, CARTRIDGE CASES AND BULLETS CAN DETERIORATE WITH TIME AND CAUSE DAMAGE TO THE FIREARM, OR INJURY TO THE SHOOTER OR OTHERS. FAILURE TO FOLLOW THIS WARNING COULD RESULT IN SERIOUS INJURY OR DEATH.

⚠ WARNING

DO NOT USE NON-STANDARD, “REMANUFACTURED”, OR HAND-LOADED (RELOADED) AMMUNITION OR CARTRIDGES OTHER THAN THOSE FOR WHICH THE FIREARM WAS ORIGINALLY CHAMBERED. BERETTA ASSUMES NO LIABILITY FOR INCIDENTS OCCURRING THROUGH THE USE OF NON-STANDARD OR INCORRECT AMMUNITION. USE OF RELOADED OR INCORRECT AMMUNITION WILL VOID THE MANUFACTURER’S WARRANTY. FAILURE TO FOLLOW THIS WARNING COULD RESULT IN SERIOUS INJURY OR DEATH.

TOMCAT AMMUNITION

The Tomcat pistol is chambered for .32 Auto caliber ammunition. The .32 Auto cartridge is also known as .32 Cal, .32 ACP and in Europe it is known as the 7.65 mm Browning.

ⓘ Notice

The Tomcat is not designed to shoot 7.65 Roth-Sauer, .32 S&W, .32 S&W long, .32 H&R Magnum, .32 long Colt, .32 Short Colt, .32 Winchester, 7.65 Mannlicher, 7.65 mm luger, or 7.65 MAS French.

Be sure of the caliber and use only ammunition which is designed for your pistol. Use only new, factory manufactured, ammunition which conforms to SAAMI or CIP specifications. Reloaded or remanufactured ammunition is more likely to be overcharged or defective and can present safety risks to the shooter.

Before leaving the factory, the pistol has been thoroughly inspected, proof load test-fired to check material strength and function tested with factory load .32 Auto ammunition.

After a “break-in” period of shooting, you may find that your pistol (like most other semiautomatic pistols) shoots better with one or two particular brands of ammunition.

LOADING

⚠ WARNING

ONCE THE PISTOL’S CHAMBER IS LOADED, TO PREVENT ACCIDENTAL DISCHARGE, PRESS THE SAFETY LOCK UP INTO THE ENGAGED “ON” POSITION, AND ALWAYS KEEP YOUR FINGER AWAY FROM THE TRIGGER WHENEVER YOU DO NOT INTEND TO FIRE. FAILURE TO FOLLOW THESE STEPS COULD RESULT IN SERIOUS INJURY OR DEATH.

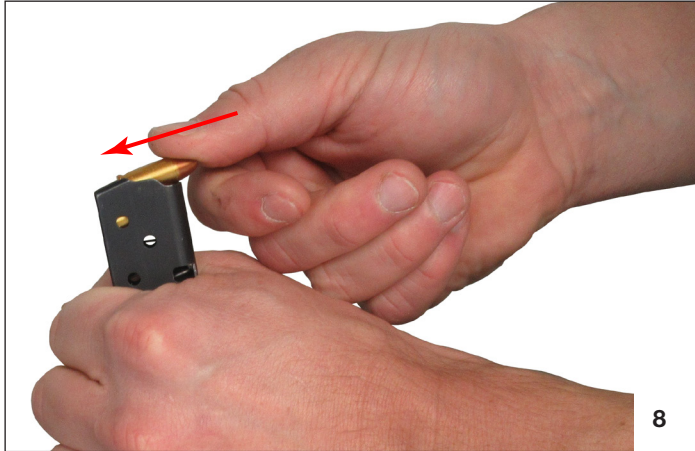
LOADING THE MAGAZINE

NOTE: The following procedure shows the loading of the magazine for the Bobcat .22LR pistol and the Tomcat .32 auto pistol.

To load the magazine, remove it from the pistol by depressing the magazine catch.



Hold the magazine in one hand, and with your other hand place a cartridge on the follower in front of the feed lips. Press down and slide the cartridge completely back under the feed lips.



Repeat until the magazine is fully loaded.

Notice

Do not try to force more than the maximum indicated rounds into the magazine. See “Bobcat Magazine Capacity” page 10 or “Tomcat Magazine Capacity” page 9 for more information.

LOADING THE PISTOL BY THE BARREL TILTING METHOD

Rotate the safety lever up into the safe position (RED WARNING DOT not visible).



Release the barrel by pressing the barrel latch.



Insert a cartridge into the chamber, and push the barrel down. A sharp click indicates barrel lever engagement.

NOTE: Visually inspect that the barrel Lever is securely closed or rotate lever toward its rear stop.

The pistol is now chamber loaded, ready to be fired by trigger pull.



Push the fully loaded magazine into the grip’s magazine well. A sharp click indicates magazine catch engagement.



The pistol is now chambered and magazine loaded and ready to fire. Remember-when the hammer is fully-lowered to rest against the slide, the pistol can be fired by double action trigger pull (direct trigger pull-no manual hammer cocking).

! WARNING

ONCE THE PISTOL'S CHAMBER IS LOADED, TO PREVENT ACCIDENTAL DISCHARGE, PRESS THE SAFETY LOCK UP INTO THE ENGAGED "ON" POSITION, AND ALWAYS KEEP YOUR FINGER AWAY FROM THE TRIGGER WHENEVER YOU DO NOT INTEND TO FIRE. FAILURE TO FOLLOW THESE STEPS COULD RESULT IN SERIOUS INJURY OR DEATH.

LOADING THE PISTOL BY SLIDE MANIPULATION

NOTE: The following procedure shows the loading the pistol by side manipulation for the Bobcat .22LR pistol and the Tomcat .32 auto pistol.

Push the fully loaded magazine into the grip's magazine well. A sharp click indicates magazine catch engagement.



NOTE: When the hammer is fully-lowered and Safety engaged "ON" the slide cannot be pulled.

Disengage the safety. (Rotate the safety lever down-safety unlocks slide/ RED WARNING DOT visible).



Grasp the slide serration with thumb and index finger (keep finger outside the trigger guard), retract the slide until it stops (activating the recoil springs and cocking the hammer).



Quickly release the slide. The slide will automatically close, chambering the first cartridge from the magazine. The hammer is fully-cocked. The pistol is ready to fire.

⚠ WARNING

ONCE THE PISTOL'S CHAMBER IS LOADED, TO PREVENT ACCIDENTAL DISCHARGE, ROTATE THE SAFETY LEVER INTO THE SAFE POSITION, AND ALWAYS KEEP YOUR FINGER AWAY FROM THE TRIGGER WHENEVER YOU DO NOT INTEND TO FIRE. FAILURE TO FOLLOW THESE STEPS COULD RESULT IN SERIOUS INJURY OR DEATH.

**COCKING THE HAMMER**

Since the Bobcat and Tomcat have a double action trigger mechanism, manual hammer cocking is not necessary unless the shooter prefers to fire the first round by the shorter and lighter single action trigger pull.

⚠ WARNING

EVEN THOUGH THE BOBCAT AND TOMCAT PISTOLS HAVE AN INERTIA FIRING PIN AND HALF-COCKED HAMMER POSITION, A FALLING HAMMER (EVEN FROM A SHORT DISTANCE) MAY CAUSE DISCHARGE IF THE CARTRIDGE HAS A SENSITIVE PRIMER. FAILURE TO FOLLOW THIS WARNING COULD RESULT IN SERIOUS INJURY OR DEATH.

NOTE: The Bobcat and Tomcat have an added safeguard: The barrel can be released before cocking the hammer on a chambered round.

To cock the fully-lowered hammer to the fully-cocked position: Disengage the Safety. Keep finger outside of trigger guard.

Place the thumb on the hammer spur. Retract the hammer in a continuous motion to solid frame tang stop. A sharp click indicates the sear is in position to secure the hammer.



Gradually release the thumb pressure, allowing the hammer to move forward a short distance to solid hammer/ sear engagement.

Remove thumb from spur and rotate the safety lever to the safe position (RED WARNING DOT not visible).

**FIRING****DRY FIRING****⚠ WARNING**

DRY FIRING CAN CAUSE FIRING PIN BREAKAGE WHICH CAN CAUSE UNINTENDED DISCHARGE OR MAY PREVENT DISCHARGE. IF YOU WANT TO PRACTICE TRIGGER PULL, INSERT A FIRED CARTRIDGE CASE IN THE CHAMBER TO CUSHION THE FALL OF THE FIRING PIN AND REDUCE CHANCES OF FIRING PIN BREAKAGE. FAILURE TO FOLLOW THIS CAUTION COULD RESULT IN DAMAGE TO THE PISTOL, SERIOUS INJURY OR DEATH.

DOUBLE ACTION TRIGGER PULL

The Double Action feature is a safety device. It makes it possible to fire the pistol quickly when the hammer is in the fully-lowered position. It eliminates the necessity of manual hammer cocking.

Take advantage of the Double Action Trigger Pull:

- When the pistol is chamber loaded by the barrel release method and the hammer remains fully-lowered.
- If the hammer after shooting has been fully-lowered over a chambered round.
- In case of misfire and/or possible hang-fire.

! WARNING

ALWAYS ENGAGE SAFETY WHEN THE HAMMER IS FULLY-LOWERED-UNLESS YOU ARE READY TO SHOOT. FAILURE TO FOLLOW THIS WARNING COULD RESULT IN SERIOUS INJURY OR DEATH.

NOTE: During normal shooting with a loaded magazine, only the first shot requires Double Action trigger pull. The remaining rounds will be discharged by Single Action trigger pull. The Double Action pull is longer and slightly harder than the Single Action pull.

SINGLE ACTION TRIGGER PULL

The Single Action pull is ideal for target practice accuracy as it is light, short and crisp. When the pistol is chamber loaded by slide manipulation or from firing, the reciprocating slide will full-cock the hammer and ready the pistol for Single Action trigger pull discharge.

! WARNING

ALWAYS ENGAGE THE SAFETY WHEN THE HAMMER IS FULLY-LOWERED-UNLESS YOU ARE READY TO SHOOT. FAILURE TO FOLLOW THIS WARNING COULD RESULT IN SERIOUS INJURY OR DEATH.

WHEN READY TO FIRE

Check that your target and backstop are safe. Point the muzzle in a safe direction (toward backstop)

Disengage the Safety if engaged (RED WARNING DOT visible).



Grasp the pistol firmly with your shooting hand- or if you prefer, use two hands for support.

! WARNING

BE SURE TO AVOID FINGER REST AGAINST THE BARREL LEVER (INADVERTENT RELEASE), OR SAFETY (INADVERTENT ENGAGEMENT). ALSO, BE SURE TO KEEP HAND(S) BELOW THE FRAME'S WEB GUARD TANG TO PERMIT FREE SLIDE RECOIL. FAILURE TO FOLLOW THIS WARNING COULD RESULT IN SERIOUS INJURY OR DEATH.

Align front and rear sight on the target.

To fire, squeeze the trigger.

! WARNING

BE SURE TO POINT THE MUZZLE IN A SAFE DIRECTION AFTER DISCHARGE-AND KEEP FINGER OFF TRIGGER. FAILURE TO FOLLOW THIS WARNING COULD RESULT IN SERIOUS INJURY OR DEATH

The discharge will recoil the slide, eject the fired (spent) cartridge case, fully cock the hammer and activate the recoil springs. The compressed recoil springs will automatically close the slide, feeding the next cartridge from the magazine into the chamber, and the pistol is ready to fire until empty.

UNLOADING THE PISTOL AND MAGAZINE

UNLOADING THE PISTOL

! WARNING

ALWAYS ENGAGE THE SAFETY WHEN THE HAMMER IS FULLY-LOWERED, HALF COCKED OR FULLY COCKED UNLESS YOU ARE READY TO SHOOT. FAILURE TO FOLLOW THIS WARNING COULD RESULT IN SERIOUS INJURY OR DEATH.

Press the barrel latch to release the barrel. Remove the chambered cartridge.





Depress the magazine release catch and remove the magazine from the pistol.



UNLOADING THE MAGAZINE

Tomcat .32 Auto

To unload the magazine, grasp the magazine box with one hand, bottom down and with front end forward. With the tip of the thumb, firmly press down on the cartridge rim and push the top round forward. As the bullet moves forward, slightly tip the cartridge upward with the index finger. Repeat until the magazine is unloaded.



LOWERING THE HAMMER

! WARNING

EVEN THOUGH THE BOBCAT AND TOMCAT HAVE AN INERTIA FIRING PIN (REDUCES CHANCES OF ACCIDENTAL DISCHARGE), A FALLING HAMMER (EVEN FROM A SHORT DISTANCE) MAY CAUSE DISCHARGE, ESPECIALLY IF THE CARTRIDGE HAS A SENSITIVE PRIMER. BERETTA DOES NOT RECOMMEND LOWERING THE HAMMER WHEN THE CHAMBER IS LOADED. FAILURE TO FOLLOW THIS WARNING COULD RESULT IN SERIOUS INJURY OR DEATH.

The Bobcat and Tomcat pistols have an added safeguard: The barrel can be released (tipped up) before lowering the hammer on a chambered round.

To lower the fully-cocked or half-cocked hammer to the fully-lowered position, disengage the safety. Manually retract the hammer spur. Depress the trigger while cautiously allowing the hammer to move all the way forward under thumb control.

When the hammer is fully-lowered, engage the safety (red warning dot not visible). If the barrel, as a safety precaution, was released during hammer lowering, rotate the barrel down, and make sure the barrel lever is securely closed.

DISASSEMBLY

Notice

Every time the pistol is fired, or at least once a month, cleaning and lubricating is recommended.

FIELD STRIPPING

Notice

It is advisable to carry out the field stripping and the assembly operations over a table to catch components, should they drop.

WARNING

MAKE SURE THE PISTOL IS UNLOADED. IF NOT, UNLOAD THE PISTOL. SEE "UNLOADING THE PISTOL AND MAGAZINE" PAGE 17 FOR MORE INFORMATION. FAILURE TO FOLLOW THIS WARNING COULD RESULT IN SERIOUS INJURY OR DEATH.

Press the magazine release catch and remove the magazine from the pistol..



Press the barrel latch to release the barrel.



Swing the barrel forward over its hinge until it reaches a solid stop.



With the safety disengaged “OFF” (red dot showing) fully-cock the hammer.



Retract the slide about 1/8 inch and lift the front of the slide over the barrel hinge.

NOTE: A sharp click indicates the disengagement of the recoil spring from the slide.



Once the sharp click is heard, pull the slide forward until it clears the frame guide lugs.



Notice

Beretta recommends any further disassembly be performed by a qualified gunsmith.



GRIP PANELS REMOVE AND INSTALL

Note: The grip removal is only necessary if the pistol is excessively dirty.

WARNING

MAKE SURE THE PISTOL IS UNLOADED. IF NOT, UNLOAD THE PISTOL. SEE “UNLOADING THE PISTOL AND CHAMBER” ON PAGE 14 FOR MORE INFORMATION. FAILURE TO FOLLOW THIS WARNING COULD RESULT IN SERIOUS INJURY OR DEATH.

Using a flat head screwdriver, remove the grip screws by turning them counterclockwise.



Remove the grip panels from the lower receiver.



Install the grip screws with a flathead screwdriver by turning them clockwise. Tighten the grip screws to a torque of **10 lb·in.**



MAINTENANCE

⚠ WARNING

DO NOT ATTEMPT TO MAKE REPAIRS TO ANY FIREARM WITHOUT PROPER KNOWLEDGE OR TRAINING. DO NOT ALTER PARTS OR USE SUBSTITUTE PARTS NOT MADE BY BERETTA. ANY ALTERATIONS OR ADJUSTMENTS THAT MAY BE NECESSARY TO THE OPERATING MECHANISM SHOULD BE PERFORMED BY THE MANUFACTURER OR A BERETTA AUTHORIZED SERVICE CENTER. FAILURE TO FOLLOW THIS WARNING COULD RESULT IN SERIOUS INJURY OR DEATH.

CLEANING AND LUBRICATING

The firearm should be cleaned as soon as possible after firing. Use only high-quality, commercially-available firearm cleaning solvents and cleaning equipment.

⚠ WARNING

EXCESS OIL AND GREASE OBSTRUCTING THE BORE, EVEN PARTIALLY, IS VERY DANGEROUS WHEN FIRING AND MAY CAUSE BARREL RUPTURE AND SERIOUS INJURY TO THE SHOOTER AND BYSTANDERS. NEVER SPRAY OR APPLY OIL TO CARTRIDGES. USE LUBRICANTS PROPERLY. YOU ARE RESPONSIBLE FOR THE PROPER CARE AND MAINTENANCE OF YOUR FIREARM. FAILURE TO FOLLOW THIS WARNING COULD RESULT IN SERIOUS INJURY OR DEATH.

⚠ WARNING

MAKE SURE THE PISTOL IS UNLOADED. IF NOT, UNLOAD THE PISTOL. SEE "UNLOADING THE PISTOL AND MAGAZINE" PAGE 17 FOR MORE INFORMATION. FAILURE TO FOLLOW THIS WARNING COULD RESULT IN SERIOUS INJURY OR DEATH.

i Notice

The firearm should not be disassembled for cleaning beyond what is described. Only gunsmiths or other highly-trained personnel who are familiar with these firearms should conduct further disassembly.

i Notice

It is advisable to carry out the field stripping and the assembly operations over a table to catch components, should they drop.

Disassemble the firearm as previously described in this manual. See “When the hammer is fully-lowered, engage the safety (red warning dot not visible). If the barrel, as a safety precaution, was released during hammer lowering, rotate the barrel down, and make sure the barrel lever is securely closed.” page 18 for more information.

Barrel

Clean the barrel with bore solvent and a brush and then dry it with cleaning patches. Always begin at the chamber end. Repeat until the barrel is clean.

Wipe down the exterior of barrel locking block and lug assembly with a solvent soaked patch. Allow to dry, then apply lubrication in the lug and locking block area.

Lightly oil the inside and outside of the barrel, using a clean patch soaked in gun oil. Lightly oil the locking block.

Slide

Clean the slide with a cloth and/or brush soaked in gun oil, paying special attention to the breech face, extractor, slide rails and under side of breech. Wipe clean.

Lightly oil the slide. Apply a few drops of oil down the rails of the slide.

Recoil Spring and Spring Guide

Lightly oil the recoil spring and spring guide with gun oil. After prolonged use, it may be necessary to first clean with gun oil and a brush.

Frame

With a gun oil soaked rag or brush, clean all areas covered by gunpowder residue and dirt.

Wipe clean and lightly lubricate rails and moving parts. Be sure to oil the disassembly lever, magazine catch, slide stop, trigger system, hammer, sear and the levers in front of the hammer.

Magazine Cleaning and Cartridge Rotation

Be sure to thoroughly clean the magazine(s). After cleaning, wipe with a lightly oil moistened rag.

Notice

If the pistol is carried with chamber and magazine loaded, it is important to periodically unload all magazines for cartridge inspection.

AFTER CLEANING AND LUBRICATING CHECKS

Assemble the firearm and check for proper function. See “Assembly” page 22 for more information.

Verify the safety is engaged “ON”.

Insert an empty magazine and retract the slide so that the slide remains in the open position.

Pull the slide rearward, then release it to close the slide.

ASSEMBLY

NOTE: The following procedure shows the assembly of the pistol after field stripping both the Bobcat and Tomcat pistols.

If the grips were removed, install both the right and left grip to the pistol. See “Grip Panels Remove and Install” page 20 for more information.

Elevate the front end of the slide and place the rear end of it over the frame just in front of the frame’s guide lugs.



Pull the slide rails back over the frame’s guide lugs; simultaneously, lower the front end of the slide down to gently rest on the frame (top of the recoil spring levers),



Press down on the front of the slide until it clicks. The click indicates the engagement between the recoil spring and the slide cutouts.



NOTE: Visually inspect that the underside of the slide is resting flat against the frame's sliding surface (slide and frame are parallel).

Swing the barrel down into the closed position, and verify proper barrel lever closing.



Retract the slide and release it to check for correct function.
Manually Lower the Hammer. See "Lowering the Hammer" page 18 for more information.

Engage the safety (red dot not showing).

RED DOT SIGHT

INTRODUCTION

The purpose of this section is to provide instructions on how to install and remove the red dot aiming device on your RDO compatible 30X Tomcat series pistol. For handling and loading information for your 30X Tomcat series pistol, refer to the User Manual and Basic Safety Rules sections of this document.

INSTALLATION

! WARNING

BEFORE INSTALLING THE AIMING DEVICE, UNLOAD THE PISTOL. SEE "UNLOADING THE PISTOL AND MAGAZINE" PAGE 17 FOR MORE INFORMATION.

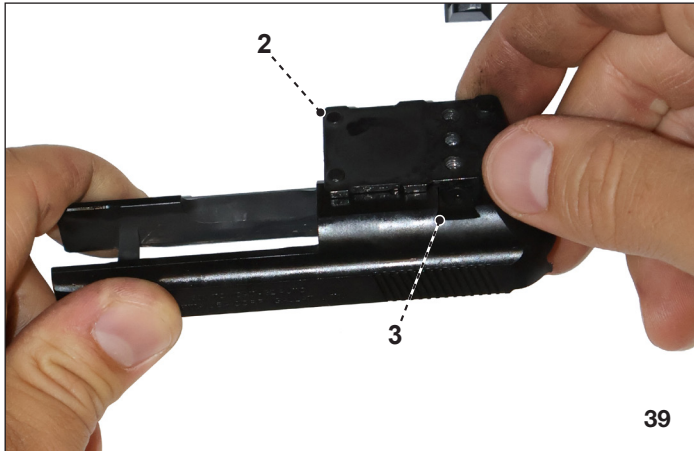
Using a 1.3mm allen key, loosen the rear sight set screw (1) until the rear sight can freely slide from the slide. Remove rear sight from slide.



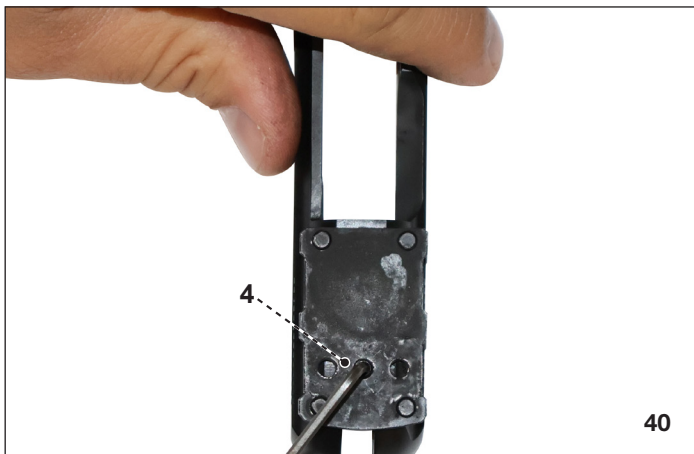
Notice

To ensure the optic plate set screw doesn't loosen during firing, Beretta recommends using thread locking compound on the optic plate set screw during installation.

Slide the optic plate (2) into the rear sight dovetail (3) on the slide.



Using a 2mm allen key, install and tighten the optic plate set screw (4) into the threaded center hole, securing the optic plate to the slide.



Notice

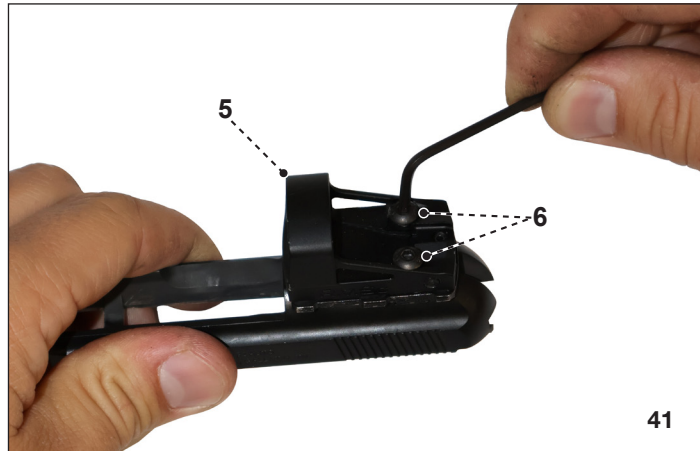
To ensure the optic set screws don't loosen during firing, Beretta recommends using thread locking compound on the optic mounting screws during installation.

Ensuring Red Dot Optic battery is installed, place the optic (5) onto optic plate and secure using the mounting screws (6) and allen keys included with the optic.

WARNING

A SIGHT THAT IS NOT MOUNTED SECURELY MAY BECOME DETACHED UPON RECOIL OF FIREARM. IF IT BECOMES DETACHED, IT MAY FLY BACK AND STRIKE THE SHOOTER OR BYSTANDER CAUSING INJURY. NOTE THE CONDITION OF THE MOUNTING SCREWS AFTER FIRING (GOOD PRACTICE IS TO MARK THE SCREW HEAD

TO MAKE ANY ROTATION CLEARLY VISIBLE). IF THE MOUNTING SCREWS SHOW SIGNS OF LOOSENING, DO NOT FIRE THE GUN AGAIN UNTIL YOU HAVE TIGHTENED THE SCREWS. THE ORIGINAL SCREWS COME WITH A DROP OF GLUE APPLIED; IF THE SCREWS DO BEGIN TO LOOSEN, REMOVE THEM, CLEAN THE SCREWS AND THREADS, APPLY THREAD LOCKING COMPOUND TO THE SCREWS AND REASSEMBLE. LET THE THREAD LOCKING COMPOUND CURE BEFORE USING THE FIREARM.

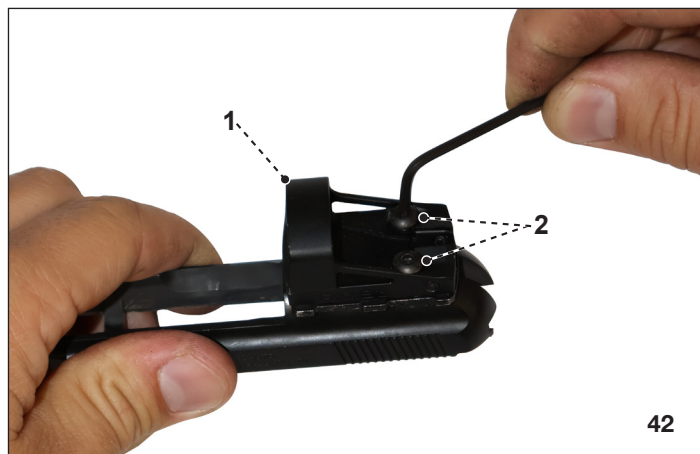


REMOVAL

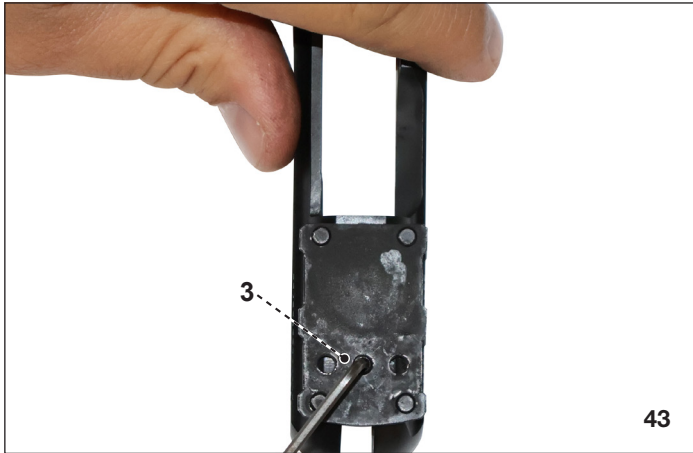
WARNING

BEFORE REMOVING THE OPTIC, UNLOAD THE PISTOL. SEE "UNLOADING THE PISTOL AND MAGAZINE" PAGE 17 FOR MORE INFORMATION.

Using the allen key supplied with the optic (1), unscrew the two mounting screws (2) and remove the optic from the optic plate.



Using a 2mm allen wrench, unscrew the optic plate set screw (3) and slide it out of the rear sight dovetail slot.



Slide the rear sight into the dovetail slot. Using a 1.3mm allen wrench, secure the rear sight in position with the set screw (4).



TROUBLESHOOTING

Malfunction	Probable Cause	Remedy
Failure to feed	Defective cartridge	Inspect and replace cartridge
	Failure to lubricate	Lubricate pistol
Misfire	Defective cartridge	Replace defective cartridge
Does not extract or defective extraction	Dirty cartridge chamber	Clean and lubricate cartridge chamber
	Defective or dirty ammunition	Replace or clean cartridges
	Dirt under the extractor	Clean the extractor seat
	Failure to lubricate	Lubricate pistol

⚠ WARNING

DO NOT ATTEMPT TO MAKE REPAIRS TO ANY FIREARM WITHOUT PROPER KNOWLEDGE OR TRAINING. DO NOT ALTER PARTS OR USE SUBSTITUTE PARTS NOT MADE BY BERETTA. ANY NECESSARY ALTERATIONS OR ADJUSTMENTS TO THE OPERATING MECHANISM SHOULD BE PERFORMED BY THE MANUFACTURER. FAILURE TO FOLLOW THIS WARNING COULD RESULT IN SERIOUS INJURY OR DEATH.

⚠ WARNING

DO NOT ATTEMPT TO ALTER THE INTERNAL PARTS OF YOUR PISTOL'S FIRING MECHANISM. ALTERING INTERNAL PARTS CAN CAUSE UNSAFE CONDITIONS. FAILURE TO FOLLOW THIS WARNING COULD RESULT IN SERIOUS INJURY OR DEATH.

MISFIRE AND/OR HANG-FIRE

If the trigger is pulled and the firearm does not immediately fire:

⚠ WARNING

IF THE FIREARM FAILS TO FIRE IMMEDIATELY AFTER THE TRIGGER IS PULLED, CEASE FIRING IMMEDIATELY. FAILURE TO FOLLOW THIS WARNING COULD RESULT IN DEATH OR SERIOUS INJURY.

- Keep the firearm pointed in a SAFE direction in the event a "hang-fire" has occurred. A hang-fire occurs when there is a delay in a cartridge's ignition.
- With the firearm pointed in a SAFE direction, wait at least 15 seconds.

! WARNING

ON THE SECOND FIRING ATTEMPT DO NOT THUMB COCK THE HAMMER. FAILURE TO FOLLOW THIS WARNING COULD RESULT IN SERIOUS INJURY OR DEATH.

- Pull the trigger again in the double action mode.
- If the firearm does not fire after the second attempt, wait 15 seconds and completely unload the firearm. See “Unloading the Pistol and Magazine” page 17 for more information.
- Carefully inspect your ammunition.
- Immediately consult qualified personnel such as a gunsmith if the firing pin indent on a fired cartridge’s primer is light or does not exist.

FIRING WITH AN OBSTRUCTION IN THE BARREL OR CHAMBER

! WARNING

FIRING WITH AN OBSTRUCTION IN THE BARREL OR CHAMBER CAN RUPTURE THE BARREL FAILURE TO FOLLOW THIS WARNING COULD RESULT IN SERIOUS INJURY OR DEATH.

- In the event you hear an unusual noise when shooting, stop firing immediately, keeping the gun pointed in a safe direction, engage the manual safety and unload the firearm. See “Unloading the Pistol and Magazine” page 17 for more information.
- Make sure the chamber and barrel are free from any obstruction, like a bullet blocked inside the barrel due to defective or improper ammunition.

! WARNING

IF ANOTHER CARTRIDGE IS FIRED INTO AN OBSTRUCTED BARREL, A CATASTROPHIC FAILURE CAN RESULT. FAILURE TO FOLLOW THIS WARNING COULD RESULT IN SERIOUS INJURY OR DEATH.

BARREL OBSTRUCTION

- Using the disassembly instructions, field strip the firearm and check to be sure there are no obstructions in the barrel. If a barrel obstruction is detected, qualified personnel such as a gunsmith must remove the obstruction and inspect the firearm before it can be fired.

! WARNING

IF ANOTHER CARTRIDGE IS FIRED INTO AN OBSTRUCTED BARREL, A CATASTROPHIC FAILURE CAN RESULT. FAILURE TO FOLLOW THIS WARNING COULD RESULT IN SERIOUS INJURY OR DEATH.

Malfunction	Probable Cause	Remedy
Failure to feed	Defective cartridge	Inspect and replace cartridge
	Failure to lubricate	Lubricate pistol
Misfire	Defective cartridge	Replace defective cartridge
Does not extract or defective extraction	Dirty cartridge chamber	Clean and lubricate cartridge chamber
	Defective or dirty ammunition	Replace or clean cartridges
	Dirt under the extractor	Clean the extractor seat
	Failure to lubricate	Lubricate pistol

JAMMING/MALFUNCTIONING

All Beretta firearms have been designed, manufactured and thoroughly tested to insure durability and trouble-free function. If properly maintained, operated, and loaded with good quality ammunition, malfunction is practically nonexistent.

If a malfunction (jamming) occurs while loading, unloading or shooting, keep finger away from the trigger, be sure to point the muzzle in a safe direction and follow the following procedure:

Fully-cock the hammer and engage the safety See “Bobcat Safety Features” page 12 for more information.

Release barrel and remove the chambered cartridge.

Press the magazine release and remove the magazine.

Check pistol for damage and mechanical function

Check ejected cartridge. Do not load with damaged (dented or deformed) ammunition.

STORAGE

WARNING

TO REDUCE THE RISK OF ACCIDENTS INVOLVING CHILDREN OR UNAUTHORIZED PERSONS, KEEP YOUR FIREARM LOCKED AWAY AND STORE THE AMMUNITION IN A SEPARATE LOCKED LOCATION. FAILURE TO FOLLOW THIS WARNING COULD RESULT IN SERIOUS INJURY OR DEATH.

WARNING

THE FIREARM SHOULD ALWAYS BE STORED UNLOADED, THE SAFETY ENGAGED AND THE HAMMER DECOCKED. SEE “UNLOADING THE PISTOL AND MAGAZINE” PAGE 17 FOR MORE INFORMATION. FAILURE TO FOLLOW THIS WARNING COULD RESULT IN SERIOUS INJURY OR DEATH.

CAUTION

Do not store the pistol in a leather or fabric case. These materials attract moisture, even though they may appear to be perfectly dry.

To avoid corrosion during storage, the pistol should be thoroughly cleaned and all metal surfaces protected by a light film of a good grade of gun oil. See “Cleaning and Lubricating” page 21 for more information.

WARRANTY

The Warranty and extension of the warranty period is packed with your Beretta pistol. Please refer to the WARRANTY and the related instructions should a repair service be required under the warranty period.

Notice

Wholesalers, dealers or gunsmiths are not authorized to carry out any Warranty repair or adjustment on behalf of the Manufacturer (unless they are a Repair Point authorized by the Manufacturer and/or by its Local Official Distributors).

Notice

The warranty is only valid for the original purchaser.

ACCESSORIES

Please check www.Beretta.com for a comprehensive list of the latest recommended accessories.

MASSACHUSETTS ADDENDUM

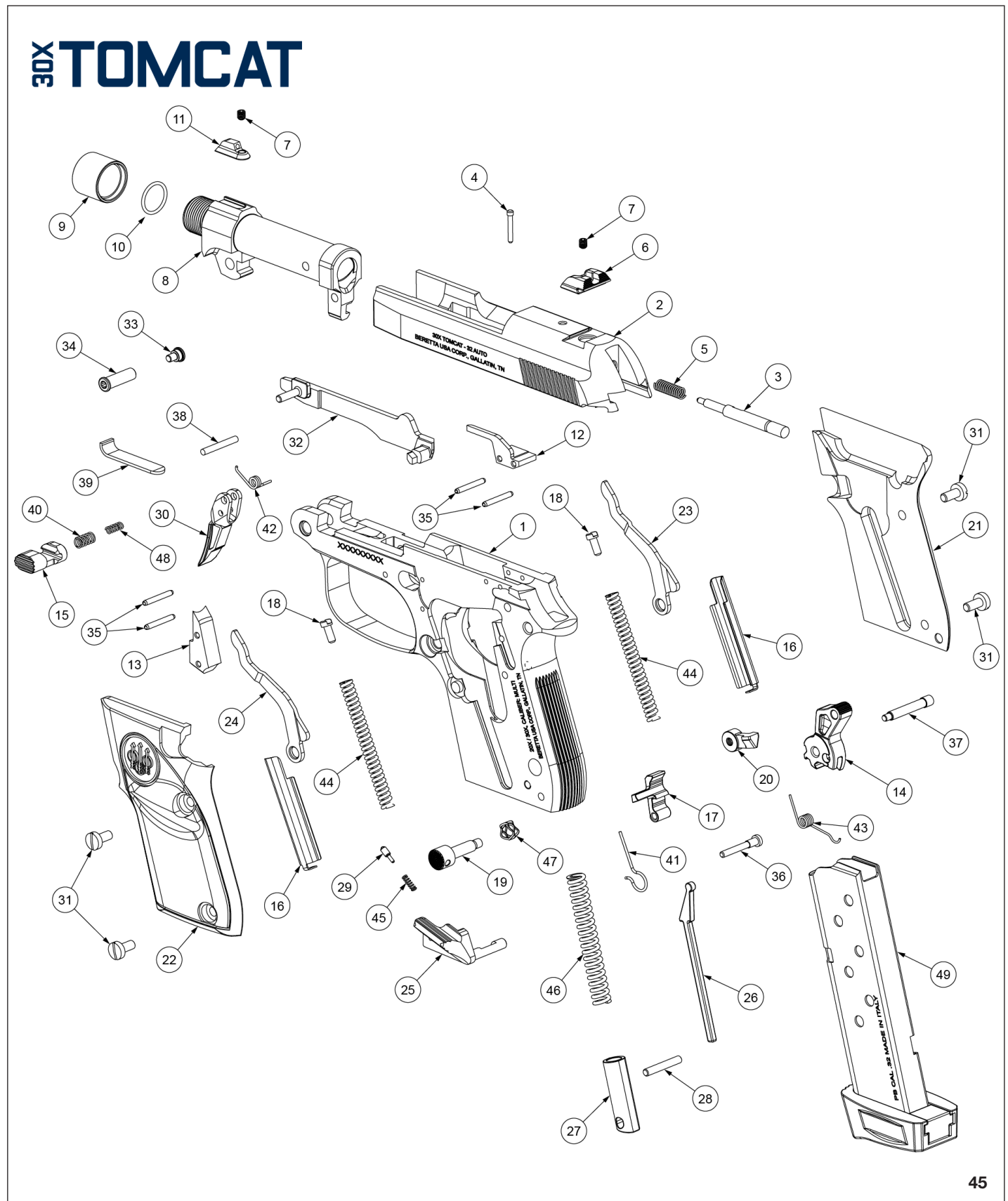
WARNING

THIS WARNING IS BEING PROVIDED IN ACCORDANCE WITH COMMON WEALTH OF MASSACHUSETTS REGULATIONS 940 CMR 16.00: HANDGUN SALES (HARSHBARGER CONSUMER PROTECTION REGULATION).

Warning from the Massachusetts Attorney General:

This handgun is not equipped with a device that fully blocks use by unauthorized users. More than 200,000 firearms like this one are stolen from their owners every year in the United States. In addition, there are more than a thousand suicides each year by younger children and teenagers who get access to firearms. Hundreds more die from accidental discharge. It is likely that many more children sustain serious wounds, or inflict such wounds accidentally on others. In order to limit the chance of such misuse, it is imperative that you keep this weapon locked in a secure place and take other steps necessary to limit the possibility of theft or accident. Failure to take reasonable preventive measures may result in innocent lives being lost, and in some circumstances may result in your liability for these deaths.

TOMCAT PARTS LIST



Item	Part Name	QTY
1	Frame, silver	1
	Frame, black	
	Frame, FDE	
2	Slide, silver	1
	Slide, black	
	Slide, FDE	
3	Firing pin	1
5	Firing pin retaining pin	1
5	Firing pin spring	1
6	Rear sight, standard	1
	Rear sight, suppressor	1
7	Sight set screw	2
8	Barrel, silver, non-threaded	1
	Barrel, silver, threaded	
	Barrel, black, threaded	
9	Treaded barrel cap	1
10	O-ring	1
11	Front sight, standard	1
	Front sight suppressor	1
12	Ejector	1
13	Feed ramp	1
14	Hammer	1
15	Barrel latch	1
16	Recoil spring cover	2
17	Sear	1
18	Recoil spring plunger	2
19	Magazine release button	1
20	Magazine catch	1
21	Right grip, standard	1
	Grip set, walnut	
	Grip set, black G10	
	Grip set, Black/gray G10	
22	Left grip, standard	1
	Grip set, walnut	
	Grip set, black G10	
	Grip set, Black/gray G10	
23	Recoil bar, right	1
24	Recoil bar, left	1
25	Safety	1
26	Hammer strut	1
27	Hammer spring cap	1
28	Hammer spring cap pin	1
29	Safety plunger	1
30	Trigger	1
31	Grip Screw	4
32	Trigger bar	1
33	Barrel pin, male	1

Item	Part Name	QTY
34	Barrel pin, female	1
35	Ejector/feed ramp pin	4
36	Sear pin	1
37	Hammer pin	1
38	Trigger pin	1
39	Barrel spring	1
40	Barrel latch spring	1
41	Sear spring	1
42	Trigger spring	1
43	Trigger bar spring	1
44	Recoil spring	2
45	Safety detent spring	1
46	Hammer spring	1
47	Magazine release spring	1
48	Nested barrel latch spring	1
49	Magazine assembly	1

30X
TOMCAT

PISTOL

USER MANUAL



BERETTA

BERETTA USA
17601 BERETTA DRIVE
ACCOKEEK, MD 20607

BERETTA.COM
1.888.4-Beretta



PROUDLY MADE IN THE USA